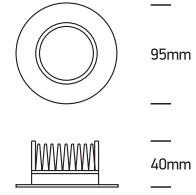


INSTALLATION MANUAL

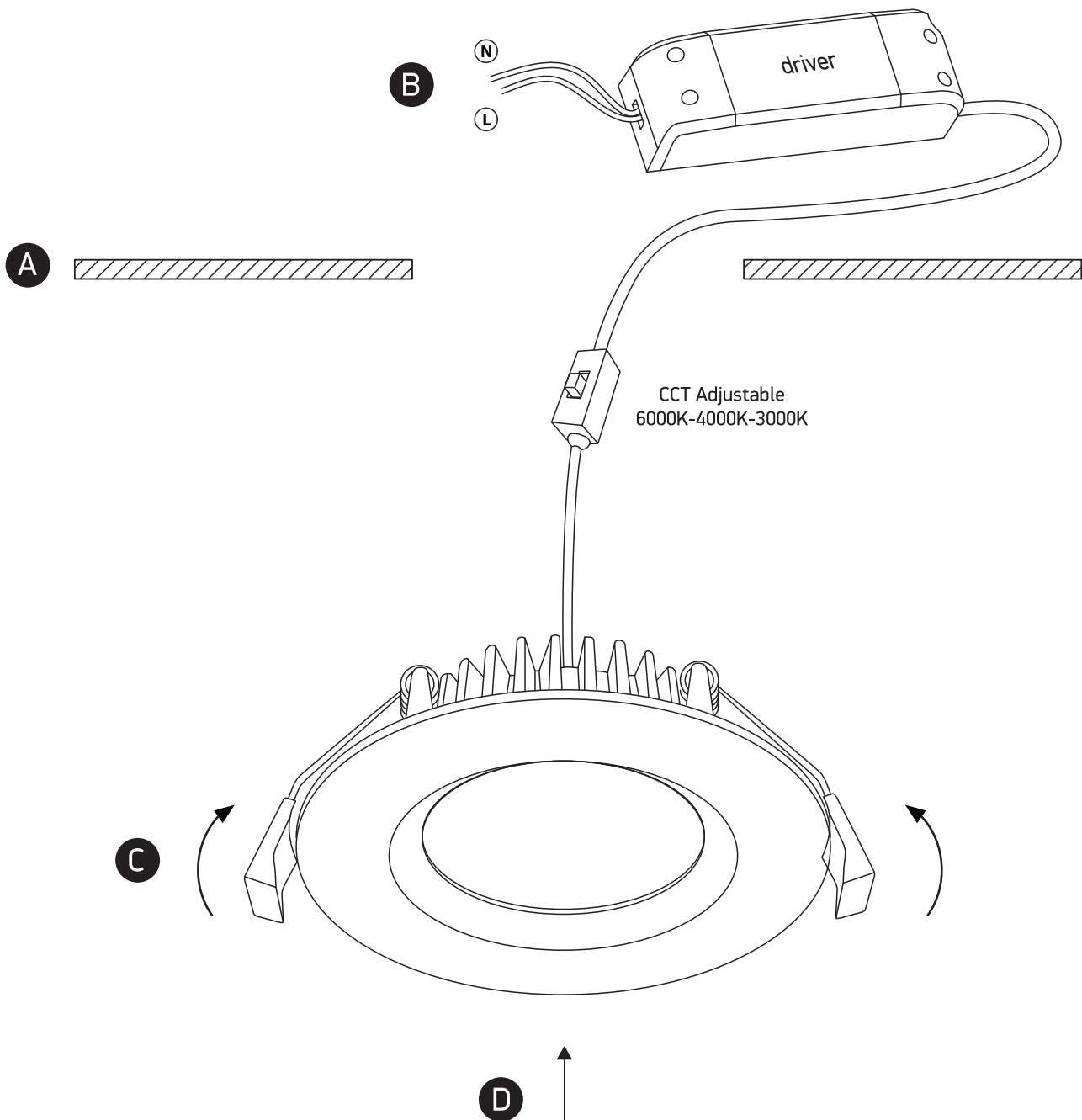
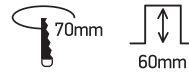
10107UV

ecodownlight



230V | SMD 2835 | 7W | IP44 | Adjustable CCT | Die cast
Complete with 180mA driver.

80
CRI



Warnings:

1. Make sure that the product is installed properly before connecting to electricity.
2. Do not cover the fitting.
3. Maintenance and installation should only be carried out by a professional electrician.